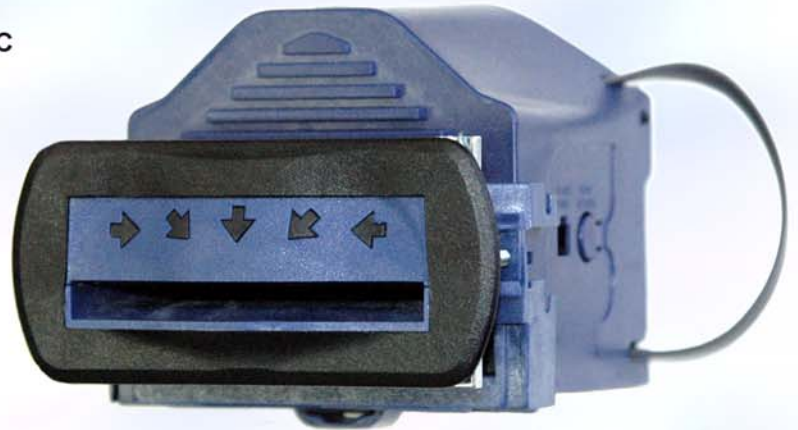




TRIOLOGY

high performance - unbeatable price

- ◆ Dual-stage optical anti-stringing
- ◆ Simple setup with Configuration Card or PC
- ◆ 12VDC standard
- ◆ Lighted arrows on bezel
- ◆ High security against fraudulent bills
- ◆ Flash updates using a PC
- ◆ Pushbutton / LED on-board diagnostics
- ◆ Advanced diagnostics with PC
- ◆ Numerous interfaces available - pinouts compatible with other manufacturers
- ◆ Bills up to 85mm wide accepted with various bezel options
- ◆ Automatic self-calibration - never requires user calibration



PYRAMID TECHNOLOGIES, INC.

CURRENCY VALIDATION EXPERTS

1718 North Quail Mesa, AZ 85205 USA
Tel: +1 480.507.0088 Fax: +1 480.507.1922

Bezel Type

- 1- Euro Style Bezel (Notes up to 85 mm in width)
- 2- USA Style Bezel (Notes up to 66 mm in width)
- 3- USA Style Bezel (Notes up to 72 mm in width)
- 4- USA Style Bezel (Notes up to 74 mm in width)

P.S./Comm. (Power Supply/Communication Options)

- 1- 12 VDC Pulse Mode only (4-pin harness included)
- 2- 12 VDC Parallel/Parallel Binary & CC-Talk (16-pin harness included)
- 4- 12 VDC USB Operation (Power / USB harness included)

T5

X

X

X

XXX

MODEL NUMBER GUIDE

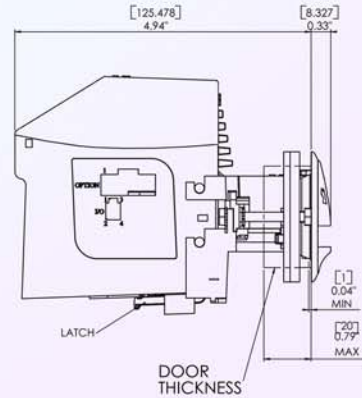
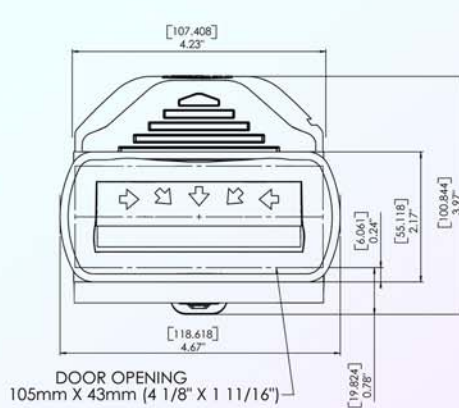
Cashbox

- N- None (Stackerless only)
- 2- 200 Note Cassette
- 5- 500 Note Cassette
- 1- 1000 Note Cassette

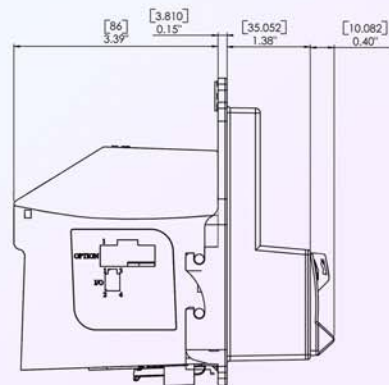
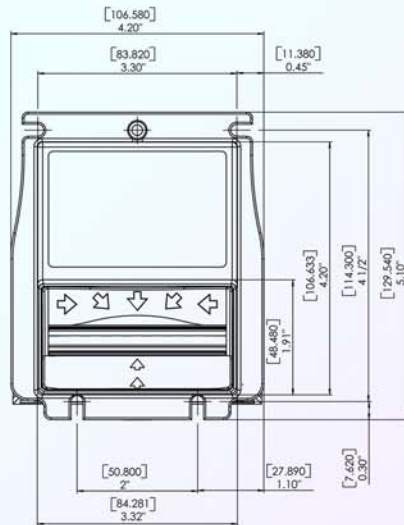
Country Code

ISO three (3) digit code
Example EUR = Euro notes,
USA = USA notes

EURO-STYLE BEZEL



USA-STYLE BEZEL



TRIOLOGY

PYRAMID TECHNOLOGIES, INC.



1718 North Quail Mesa, AZ 85205 USA Tel: +1 480.507.0088 Fax: +1 480.507.1922

Copyright © 2006 Pyramid Technologies, Inc.