

E 101/102/105

Escrow

Escrow solenoid operated

Escrow motor driven

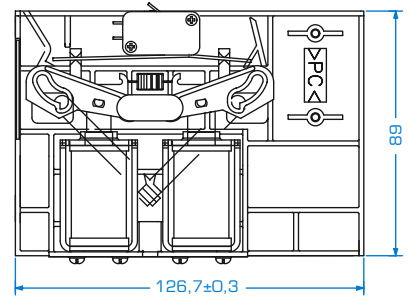
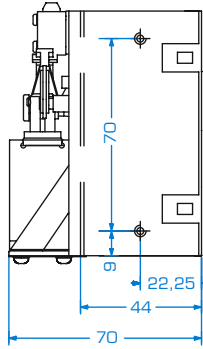
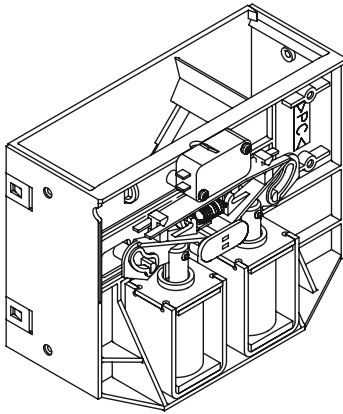
Coin storage up to 450
grammes

Capacity max. 65 1 € coins

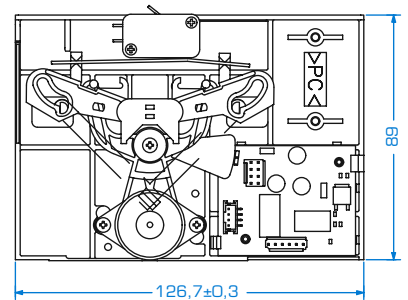
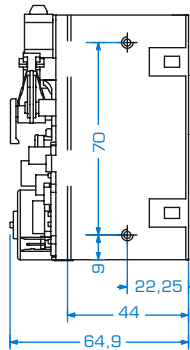
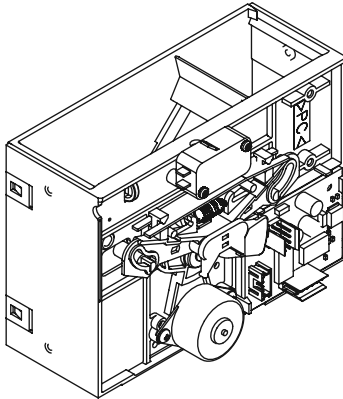


With a capacity of 450 grammes, the escrow provides a universal solution for pre-vend coin storage requirements. Any interruption of the vending process results in all coins being rejected, reducing the likelihood of coin manipulation and attempts of money laundering. Eminently suited to battery, accumulator or solar power application. With the injection moulded polycarbonate body, linkage and flaps, our escrows will operate in the most stringent conditions. Float-mounting of the escrow ensures optimum performance and reliability. Fitted with 4 pieces M3 tapped insert bushes for mounting.

E 101
E 102
E 108



E 105



VERSIONS

E 101 escrow, solenoid operated
E 102 escrow, solenoid operated
is

E 108 escrow, solenoid operated
E 105 escrow, motor driven

When the device is switched off, acceptance and return flaps are closed and locked.

When the device is switched off, the acceptance flap is closed and locked. The return flap

open. When the device is switched on, the return flap will be closed and locked.

like E 101 for chassis CH 800

An input signal is required to activate the normally closed and locked acceptance and returnflaps.

connector assignment:

- | | |
|---------------------------|-----------------------|
| 1 ground | 2 +10 to 24 V DC |
| 3 acceptance, active low | 4 return, active low |
| 5 acceptance, active high | 6 return, active high |
| 7 user ground | 8 user ground |

Micro switch - the built-in stop switch operates in the following manner - opening the return flap: the micro switch is activated immediately - opening the acceptance flap: the micro switch is activated at the end of the cycle.

Distributed by
Hemisphere West Europe Ltd
Ty Bryneirin
Sarnau,
Llandysul
Ceredigion
SA44 6QR
UK
Tel: +44 (0) 1239 654157
Fax: +44 (0) 1239 654742
e-mail: sales@hwieurope.com
Web: www.hwiglobal.com

TECHNICAL DATA

E 101, E 102 and E 108

dimensions	h 89.0 / w 126.7 / d 70.0 mm
supply voltage	12 volts DC / 850 mA / 60% duty cycle 24 volts DC / 550 mA / 60% duty cycle
temperature range	-20° C to +70° C

E 105

dimensions	h 89.0 / w 126.7 / d 64.9 mm
supply voltage	10 to 24 volts DC
idle mode	< 0.1 mA
actuation current	< 300 mA at 12 volts
actuation time	< 100 ms
temperature range	-20° C to +70° C

When one flap is open, approx. 70 mA are drawn. Triggering with negative or positive signal via separate inputs.



Hemisphere West Europe
UNATTENDED PAYMENT SPECIALISTS