

# SRT 400 SRT 500

Sorter for EMP 800 series

3-way sorter

easy to mount to  
electronic coin  
selectors

EMP 830.xx series

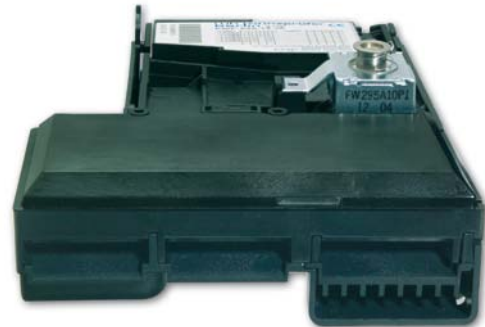
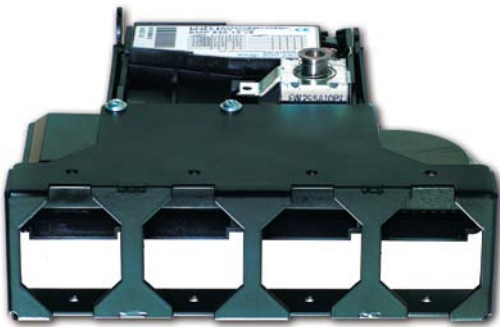
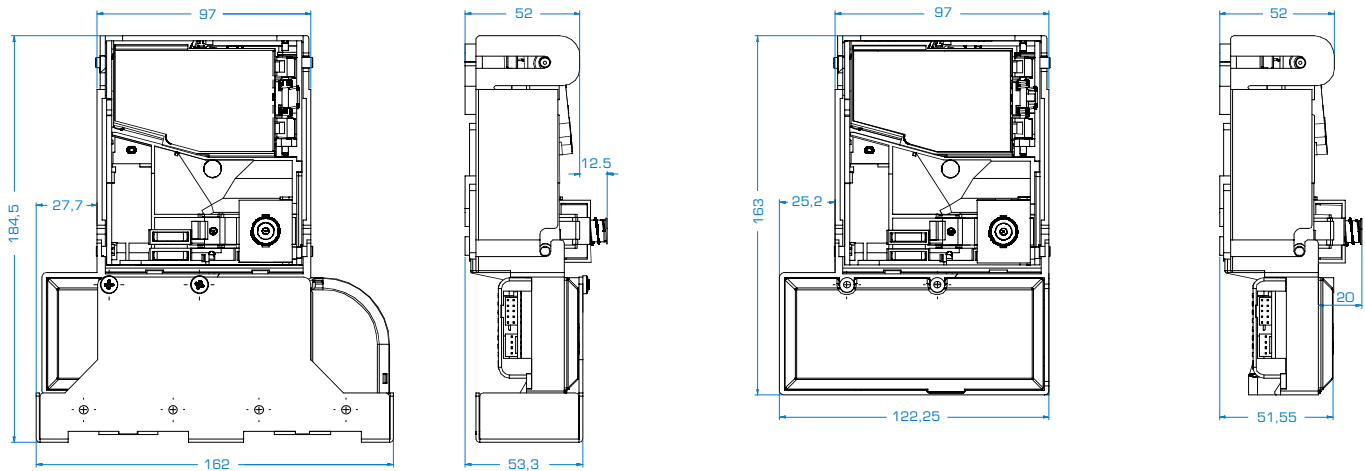


The coin sorting is effected via the parallel coin output lines 5 and 6 or via the sorting lines of the coin selector.

Following interfaces are available:

- a) parallel (EMP 830.00 or EMP 830.04),
- b) ccTalk (EMP 830.13) or
- c) USB (EMP 830.14 /X).

## DIMENSIONS



	Links 2 left 2	Mitte 0 middle 0	Rechts 1 right 1	Rückgabe reject	
Ø (mm)	30,0	30,0	30,0	30,0	with tubes
D (mm)	3,2	3,2	3,2	3,2	

	Links 2 left 2	Mitte 0 middle 0	Rechts 1 Rückgabe	right 1 reject
Ø (mm)	31,5	31,5	30,0	3,2
D (mm)	3,2	3,2	31,5	2,6

### OPTION

Halterung 2040

### TECHNICAL DATA

power supply 12 volts DC  
supply current 600 mA for approx. 500 ms during coin acceptance and coin sorting

### VERSIONS

#### SRT 400

max. coin diameter: 30.0 mm  
max. coin thickness: 3.2 mm

(with mounted tubes by means of bracket 2040)

#### SRT 500

max. coin diameter: 31.5 mm  
max. coin thickness: 2.6 mm

### OPTION

bracket 2040

Distributed by  
**Hemisphere West Europe Ltd**  
Ty Bryneirin  
Sarnau,  
Llandysul  
Ceredigion  
SA44 6QR  
UK

Tel: +44 (0) 1239 654157  
Fax: +44 (0) 1239 654742  
e-mail: sales@hwieurope.com  
Web: www.hwiglobal.com

