

SRT 800

Sorter
for EMP 800 series

2-way or 3-way sorter

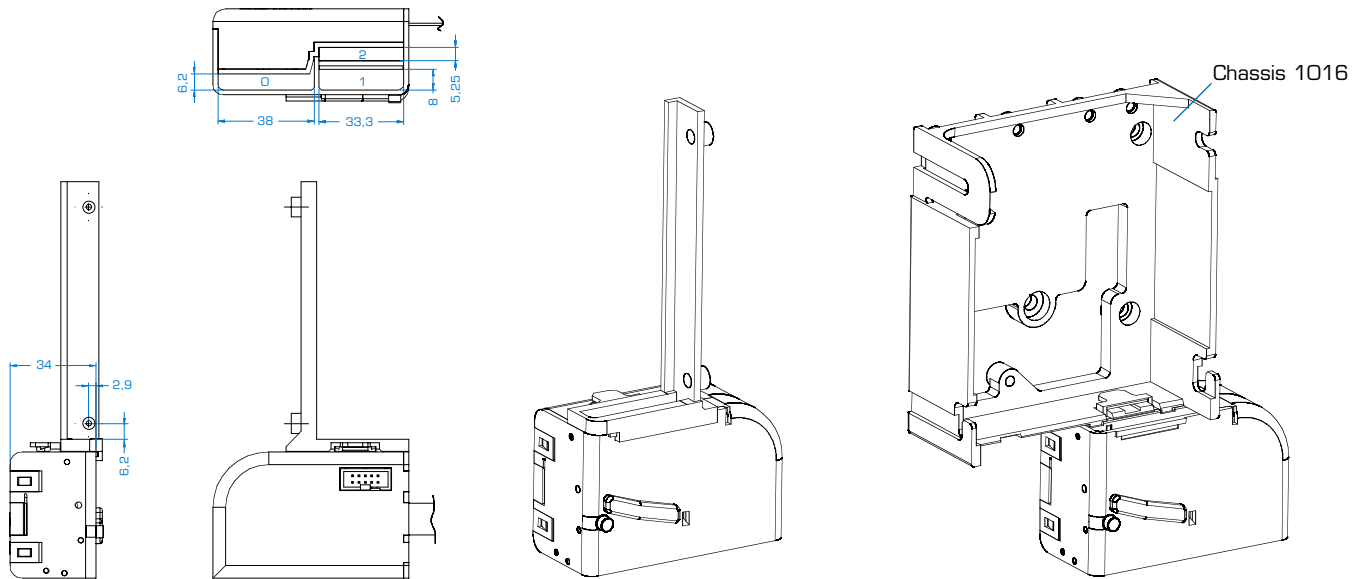
easy to mount to electronic coin se-
lectors EMP 800 series



Coin sorting is effected via:

- a) the coin selector with option /X 'control for external sorting flaps', sorter override via option /O available,
- b) the machine controller and the option /S 'preceding coin output signal' of the coin selector or
- c) the parallel output lines 5 and 6 of the coin selector.

EINBAUMAßE/ DIMENSIONS



SRT 800 für Münzprüfer mit Frontplatte
SRT 800 for coin selector with frontplates

SRT 820 für Rahmenmontage
SRT 820 for frame assembly

TECHNICAL DATA

sorter suitable for electronic coin selectors EMP 800, EMP 820, EMP 850, EMP 890

- Coin sorting is controlled by the coin selector with option /X. The sorter paths for each coin are programmed in the EMP 800. When the hopper is full, sorter override can be activated via the parallel outputs of the coin selector (option /O).
- The coin selector with option /S sends a preceding coin signal of the recognized coins. Coin sorting is controlled by the machine controller.

coin acceptance	max. diameter: 32.5 mm	max. thickness: 3.2 mm
power supply	12 volts DC	
supply current	350 mA	

Distributed by Hemisphere West Europe Ltd

Ty Bryneirin
Sarnau,
Llandysul
Ceredigion
SA44 6QR
UK

Tel: +44 (0) 1239 654157
Fax: +44 (0) 1239 654742
e-mail: sales@hwieurope.com
Web: www.hwiglobal.com